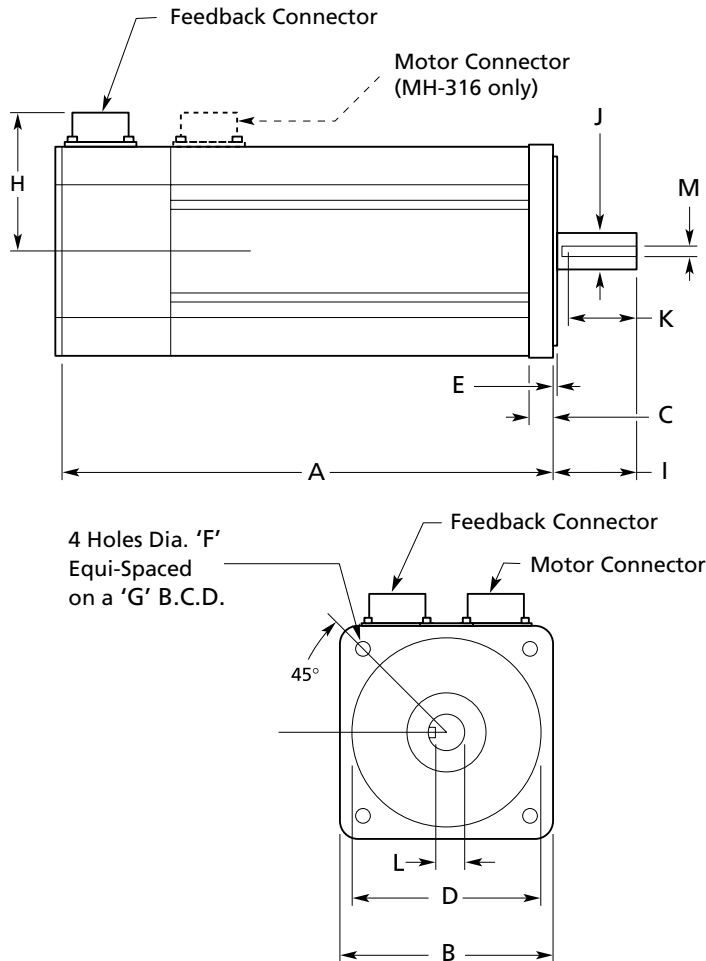


MH MOTOR DIMENSIONS

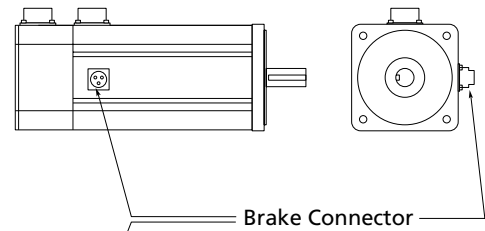
Go to **Power CD** for complete data

The dimensional information found on these pages is not to be used for design purposes. For complete engineering controlled drawings, please refer to the web site or Power CD.

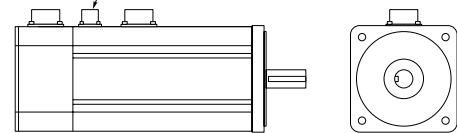
Servomotors



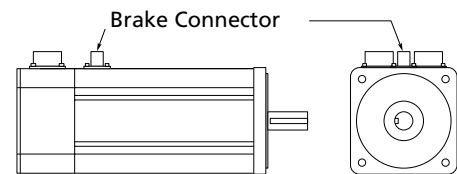
MH-316



MH-340



MH-455—MG-8750



MH Motor Dimensions

(Note: English and Metric 3" and 4" MH motors share the same dimensions as MG motors.)

Metric Dimensions inches (mm)	6"			8"		
	MHM-6120	MHM-6200	MHM-6300	MHM-8250	MHM-8500	MHM-8750
A Length Overall - Unbraked (Max)	11.29 (286.7)	13.99 (355.3)	16.99 (423.9)	12.65 (321.3)	15.65 (397.5)	21.65 (549.8)
A Length Overall - Braked (Max)	13.99 (355.3)	16.69 (423.88)	19.69 (492.48)	-	-	-
B Flange Square	5.59 (142)	5.59 (142)	5.59 (142)	7.48 (190)	7.48 (190)	7.48 (190)
C Flange Thickness	0.71 (18)	0.71 (18)	0.71 (18)	1 (25.4)	1 (25.4)	1 (25.4)
D Pilot Diameter	5.118 (130)	5.118 (130)	5.118 (130)	7.09 (180)	7.09 (180)	7.09 (180)
E Pilot Thickness	0.14 (3.6)	0.14 (3.6)	0.14 (3.6)	0.16 (4)	0.16 (4)	0.16 (4)
F Bolt Hole Diameter	4.33 (11)	4.33 (11)	4.33 (11)	0.551 (14)	0.551 (14)	0.551 (14)
G Bolt Circle Diameter	6.496 (165)	6.496 (165)	6.496 (165)	8.46 (215)	8.464 (215)	8.464 (215)
H Signal Connector Height - No Brake (Max)	3.7 (95)	3.7 (95)	3.7 (95)	4.84 (123)	4.84 (123)	4.84 (123)
H Signal Connector Height - Brake (Max)	3.7 (95)	3.7 (95)	3.7 (95)	-	-	-
I Shaft Length	1.99 (50.5)	1.99 (50.5)	1.99 (50.5)	2.3 (58.5)	2.3 (58.5)	3.23 (82)
J Shaft Diameter	0.9449 (24)	0.9449 (24)	1.2598 (32)	1.26 (32)	1.259 (32)	1.89 (48)
Shaft key Dimensions						
K Keyway Length (Min)	1.46 (37)	1.46 (37)	1.46 (37)	1.54 (39)	1.54 (39)	2.54 (64.5)
L Keyway Depth	0.78 (19.9)	0.78 (19.9)	1.06 (26.9)	1.06 (26.9)	1.06(26.9)	1.67 (42.39)
M Keyway Width	0.3149 (7.998)	0.3149 (7.998)	0.3937 (10)	0.3937 (10)	0.394 (10)	0.55 (14)